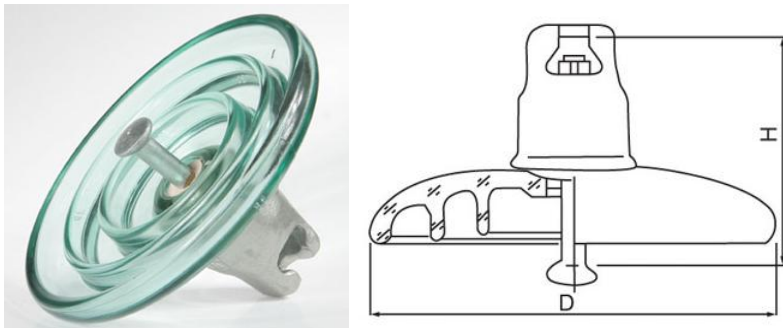


Standard type Disc Suspension Glass Insulator (Common Type)

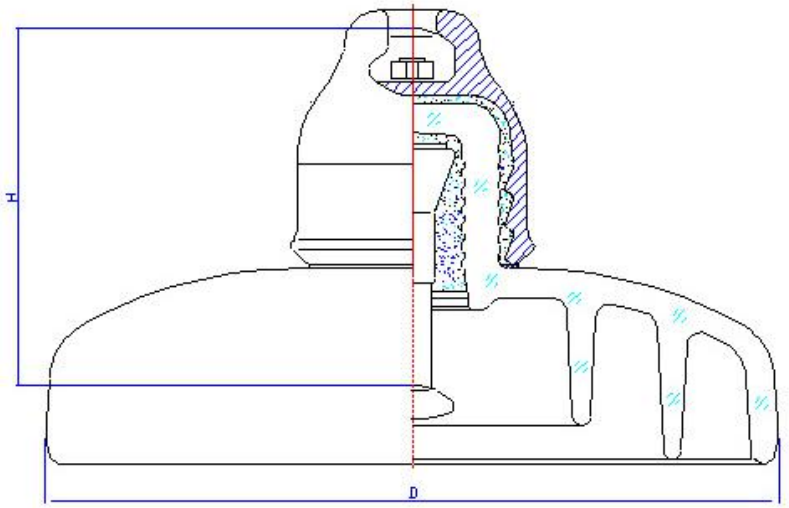


Technical Data Sheet

Electric Powertek Company International Electrician Model	U70B/146	U80B/146	U100B/146	U120B/146	U160B/155	U210B/170	U240B/170	U300B/195	U420B/205	U550B/240
Nanjing glass insulator code	LXY1-70	LXY-80	LXY-100	LXY-120	LXY3-160	LXY3-210	LXY-240	LXY3-300	LXY-420	LXY-550
Jinhua glass insulator code	LXP1-70	LXP-80	LXP-100	LXP-120	LXP3-160	LXP3-210	LXP-240	LXP3-300	LXP-420	LXP-550
Tianjin glass insulator code	TU70/146C G	TU80/146C G	TU100/146 VMCG	TU120/146 CG	TU160/155C G	TU210/170 CG	TU240/170 CG	TU300/195 CG	TU420/205 CG	TU550/240 CG
Zigong glass insulator code	FC70/146	FC80/146	FC100/146	FC120/146	FC160/155	FC210/170	FC240/170	FC300/195	FC420/205	FC550/240
National Grid tender new code	U70BL	U80BL	U100BL	U120BL	U160B	U210B	U240B	U300B	U400B	U550B
Nominal diameter D (mm)	255	255	255	255	280	280	280	320	360	360
Structure height H (mm)	146	146	146	146	155	170	170	195	205	240
Nominal creepage distance L (mm)	320	320	320	320	400	400	400	485	550	620
Connection mark (mm)	16	16	16	16	20	20	24	24	28	32
Rated mechanical damage load (kN)	70	80	100	120	160	210	240	300	420	550
Tensile load (kN)	35	40	50	60	80	105	120	150	210	275
Power frequency dry-tolerance (kV)	70	70	70	70	75	75	75	85	90	95
Power frequency wet endurance (kV)	40	40	40	40	45	45	45	50	55	55
Lightning impulse withstand voltage (kV)	100	100	100	100	110	110	110	130	140	145
Shock overvoltage breakdown withstand voltage (pu)	2.8	2.8	2.8	2.8	2.8	2.8	2.8	2.8	2.8	2.8
Minimum power frequency breakdown withstand voltage (kV)	130	130	130	130	130	130	130	130	130	130
Radio interference 10kV; 1MHz (μ V)	≤ 50	≤ 50	≤ 50	≤ 50	≤ 50	≤ 50	≤ 50	≤ 50	≤ 50	≤ 50
Visible corona voltage foot cap (kV)	18/22	18/22	18/22	18/22	18/22	18/22	18/22	18/22	18/22	18/22
Power frequency arc test	0.12s/20k A	0.12s/20k A	0.12s/20k A	0.12s/20k A	0.12s/20kA	0.12s/20k A	0.12s/20k A	0.12s/20k A	0.12s/20k A	0.12s/20k A
Insulator single piece weight (kg)	3.6	3.6	4.0	4.0	6.5	7.2	7.5	10.6	14.6	19.1

(Note: The models in the table are regular models, and the height of the structure of some models is different from the creepage distance.)

Disc Suspension Glass Insulator (Stain Resistant)

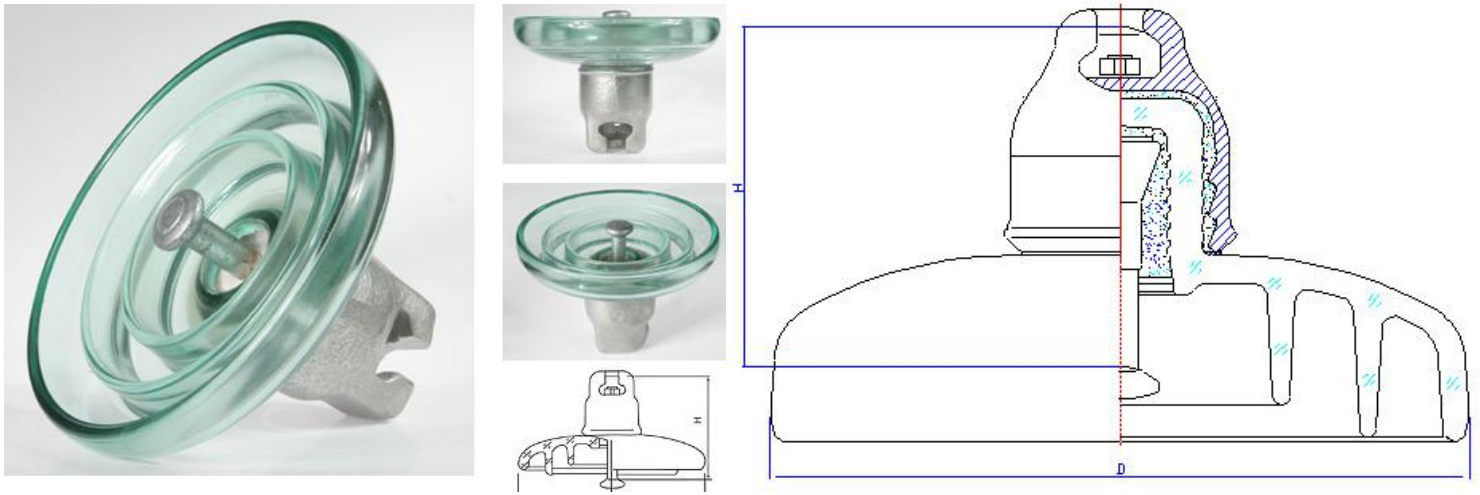


Technical Data Sheet

Electric Powertek Company International Electrician Model	U70BP/146H	U80BP/146H	U100BP/146H	U120BP/146H	U160BP/155H	U210BP/170H	U240BP/170H	U300BP/195H
Nanjing glass insulator code	LXHY4-70	LXHY-80	LXHY-100	LXHY-120	LXHY3-160	LXHY-210	LXHY-240	LXHY-300
Jinhua glass insulator code	LXHP4-70	LXHP-80	LXHP-100	LXHP-120	LXHP3-160	LXHP-210	LXHP-240	LXHP-300
Tianjin glass insulator code	TU70/146/VLM CG	TU80/146	TU100/146/V LMCG	TU120/146/V LCG	TU160/155/V LCG	TU210/170	TU240P/170	TU300P/195
Zigong glass insulator code	FC7P/146	FC8P/146	FC10P/146	FC12P/146	FC16P/155	FC21P/170	FC24P/170	FC30P/195
National Grid tender new code	U70BP	U80BP	U100BP	U120BP	U160BP	U210BP	U240BP	U300BP
Nominal diameter D (mm)	255	255	255	255	280	280	280	320
Structure height H (mm)	146	146	146	146	155	170	170	195
Nominal creepage distance L (mm)	400	400	400	400	450	450	450	610
Connection mark (mm)	16	16	16	16	20	20	24	24
Rated mechanical damage load (kN)	70	80	100	120	160	210	240	300
Tensile tensile test (kN)	35	40	50	60	80	105	120	150
Power frequency dry withstand voltage (kV)	80	80	80	80	85	85	85	90
Power frequency wet withstand voltage (kV)	45	45	45	45	50	50	50	55
Lightning impulse withstand voltage (kV)	110	110	110	110	125	125	125	140
Shock overvoltage breakdown withstand voltage (pu)	2.8	2.8	2.8	2.8	2.8	2.8	2.8	2.8
Minimum power frequency breakdown withstand voltage (kV)	130	130	130	130	130	130	130	130
Radio interference 10kV; 1MHz (μ V)	≤ 50	≤ 50	≤ 50	≤ 50	≤ 50	≤ 50	≤ 50	≤ 50
Visible corona voltage foot / cap (kV)	18/22	18/22	18/22	18/22	18/22	18/22	18/22	18/22
Power frequency arc test	0.12s/20kA	0.12s/20kA	0.12s/20kA	0.12s/20kA	0.12s/20kA	0.12s/20kA	0.12s/20kA	0.12s/20kA
Insulator single piece weight (kg)	4.6	4.6	4.6	4.6	7.3	7.3	8.4	12.5

(Note: The models in the table are regular models, and the height of the structure of some models is different from the creepage distance.)

Disc Suspension Glass Insulator (Stain Resistant I type)

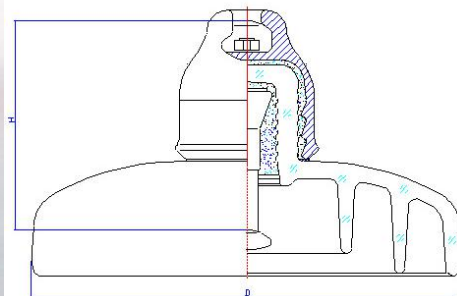


Technical Data Sheet

Electric Powertek Company International Electrician Model	U70BP/146H	U80BP/146H	U100BP/146H	U120BP/146H	U160BP/155H	U210BP/170H	U240BP/170H	U300BP/195H
Nanjing glass insulator code	LXHY5-70	LXHY5-80	LXHY4-100	LXHY4-120	LXHY5-160	LXHY3-210	LXHY3-240	LXHY3-300
Jinhua glass insulator code	LXHP5-70	LXHP5-80	LXHP4-100	LXHP4-120	LXHP5-160	LXHP3-210	LXHP3-240	LXHP3-300
Tianjin glass insulator code	TU70P/146/V LMCG	TU80P/146/V LMCG	TU100P/146/ VLMCG	TU120P/146/ VLMCG	TU160P/155/ CG	TU210P/170/ CG	TU240P/170/ CG	TU300/195/V LCG
Zigong glass insulator code	FC70P/146	FC80P/146	FC100P/146	FC120P/146	FC160P/155	FC210P/170	FC240P/170	FC300P/195
National Grid tender new code	U70BLP	U80BLP	U100BLP	U120BLP	U160BP	U210BP	U240BP	U300BP
Nominal diameter D (mm)	280	280	280	280	320	320	320	380
Structure height H (mm)	146	146	146	146	155	170	170	195
Nominal creepage distance L (mm)	450	450	450	450	550	550	550	690
Connection mark (mm)	16	16	16	16	20	20	24	24
Rated mechanical damage load (kN)	70	80	100	120	160	210	240	300
Tensile tensile test (kN)	35	40	50	60	80	105	120	150
Power frequency dry withstand voltage (kV)	85	85	85	85	90	90	90	100
Power frequency wet withstand voltage (kV)	50	50	50	50	55	55	55	60
Lightning impulse withstand voltage (kV)	125	125	125	125	140	140	140	155
Shock overvoltage breakdown withstand voltage (pu)	2.8	2.8	2.8	2.8	2.8	2.8	2.8	2.8
Minimum power frequency breakdown withstand voltage (kV)	130	130	130	130	130	130	130	130
Radio interference 10kV; 1MHz (μ V)	≤ 50	≤ 50	≤ 50	≤ 50	≤ 50	≤ 50	≤ 50	≤ 50
Visible corona voltage foot / cap (kV)	18/22	18/22	18/22	18/22	18/22	18/22	18/22	18/22
Power frequency arc test	0.12s/20kA	0.12s/20kA	0.12s/20kA	0.12s/20kA	0.12s/20kA	0.12s/20kA	0.12s/20kA	0.12s/20kA
Insulator single piece weight (kg)	5.8	5.8	5.8	5.8	8.9	10.2	10.4	15.3

(Note: The models in the table are regular models, and the height of the structure of some models is different from the creepage distance.)

Disc Suspension Glass Insulator (Stain Resistant Type II)



Technical Data Sheet

Electric Powertek Company International Electrician Model	U70BP/146H	U80BP/146H	U100BP/146H	U120BP/146H	U160BP/155H	U210BP/170H
Nanjing glass insulator code	LXHY6-70	LXHY6-80	LXHY5-100	LXHY5-120	LXHY6-160	LXHY4-210
Jinhua glass insulator code	LXHP6-70	LXHP6-80	LXHP5-100	LXHP5-120	LXHP6-160	LXHP4-210
Tianjin glass insulator code	-	-	-	-	TU160P/155/CG	TU210F/170CG
Zigong glass insulator code	FC70PL/146	FC70PL/146	FC100PL/146	FC120PL/146	FC160PL/155	FC210PL/170
Nominal diameter D (mm)	320	320	320	320	330	330
Structure height H (mm)	146	146	146	146	155	170
Nominal creepage distance L (mm)	550	550	550	550	615	615
Connection mark (mm)	16	16	16	16	20	20
Rated mechanical damage load (kN)	70	80	100	120	160	210
Tensile tensile test (kN)	35	40	50	60	80	105
Power frequency dry withstand voltage (kV)	90	90	90	90	90	90
Power frequency wet withstand voltage (kV)	55	55	55	55	55	55
Lightning impulse withstand voltage (kV)	140	140	140	140	140	140
Shock overvoltage breakdown withstand voltage (pu)	2.8	2.8	2.8	2.8	2.8	2.8
Minimum power frequency breakdown withstand voltage (kV)	130	130	130	130	130	130
Radio interference 10kV; 1MHz (μV)	≤50	≤50	≤50	≤50	≤50	≤50
Visible corona voltage foot / cap (kV)	18/22	18/22	18/22	18/22	18/22	18/22
Power frequency arc test	0.12s/20kA	0.12s/20kA	0.12s/20kA	0.12s/20kA	0.12s/20kA	0.12s/20kA
Insulator single piece weight (kg)	5.8	5.8	5.8	5.8	8.9	10.2

(Note: The models in the table are regular models, and the height of the structure of some models is different from the creepage distance.)

Disc Suspension Glass Insulator (Aerodynamic type)

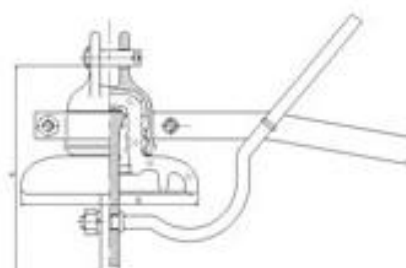
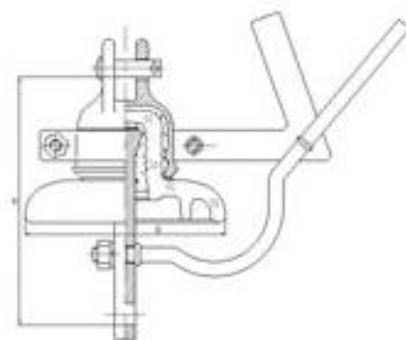


Technical Data Sheet

Electric Powertek Company International Electrician Model	U70BP/146M	U100BP/146M	U120BP/146M	U160BP/155M	U210BP/170M	U240BP/170M
Nanjing glass insulator code	LXAY-70	LXAY-100	LXAY-120	LXAY-160	LXAY-210	LXAY-240
Jinhua glass insulator code	LXAP-70	LXAP-100	LXAP-120	LXAP-160	LXAP-210	LXAP-240
Zigong glass insulator code	FC70P/146M	FC100P/146M	FC120P/146M	FC160P/155M	FC210P/170M	FC240P/170M
Nominal diameter D (mm)	380	380	380	420	420	420
Structure height H (mm)	146	146	146	155	170	170
Nominal creepage distance L (mm)	365	365	365	380	380	380
Connection mark (mm)	16	16	16	20	20	24
Rated mechanical damage load (kN)	70	100	120	160	210	240
Tensile tensile test (kN)	35	50	60	80	105	120
Power frequency dry withstand voltage (kV)	55	55	55	60	60	60
Power frequency wet withstand voltage (kV)	45	45	45	50	50	50
Lightning impulse withstand voltage (kV)	90	90	90	95	95	95
Shock overvoltage breakdown withstand voltage (pu)	2.8	2.8	2.8	2.8	2.8	2.8
Minimum power frequency breakdown withstand voltage (kV)	130	130	130	130	130	130
Radio interference 10kV; 1MHz (μ V)	≤ 50	≤ 50	≤ 50	≤ 50	≤ 50	≤ 50
Visible corona voltage foot / cap (kV)	18/22	18/22	18/22	18/22	18/22	18/22
Power frequency arc test	0.12s/20kA	0.12s/20kA	0.12s/20kA	0.12s/20kA	0.12s/20kA	0.12s/20kA
Insulator single piece weight (kg)	5.6	5.6	5.6	7.0	8.9	9.0

(Note: The models in the table are regular models, and the height of the structure of some models is different from the creepage distance.)

Disc Suspension Glass Insulator (Ground type)



Technical Data Sheet

Electric Powertek Company International Electrician Model	U70CN/200	U100CN/200
Nanjing glass insulator code	LXDY-70CN	LXDY-100CN
Jinhua glass insulator code	LXDP-70CN	LXDP-100CN
Zigong glass insulator code	FC70CN/200	FC100CN/200
(mm) nominal diameter D	200	200
(mm) structure height H	210	210
(mm) nominal creepage distance L	220	220
(kN) mechanical damage load	70	100
(kV) power frequency breakdown voltage	130	130
(kV) 20mm gap power frequency discharge voltage upper limit value	30	30
(kV) 20mm gap power frequency discharge voltage lower limit	8	8
(kV) 15mm gap 2500V arc-extinguishing ability inductive current	35	35
(kV) 15mm clearance 2500V arc-extinguishing capacity capacitive current	20	20
(kA) electrode arc resistance (not less than) power frequency current	10	10
(s) electrode arc resistance (not less than) time	0.2	0.2
Electrode arc resistance (not less than) times	2	2
(kg) insulator single piece net weight	4.5	4.5

(Note: The models in the table are regular models, and the height of the structure of some models is different from the creepage distance.)

High Voltage Line Disc Suspension Glass Insulator Disc Suspension Glass Insulators



Electric Powertek Company Ltd. has gradually formed 7 core proprietary technologies in the fields of glass insulation manufacturing, glass insulator manufacturing and glass insulator industrial design through continuous technological innovation, and obtained utility model and design patents. 16 items, 1 software copyright, participated in the construction of national major and key projects and 116 lines of 500kV and above. Gaoya Power is one of the few manufacturers in China with mature AC and DC UHV glass insulator production technology.

In September 2016, EP Company produced the 530 (550) kN glass insulator for the 1,000kV AC UHV transmission line with the highest mechanical load rating in the industry. The first one was adopted by the China Electricity Council. The technical appraisal of new grade glass insulators was listed in the “2007 National Key New Product Plan” by the Ministry of Science and Technology and other four ministries. On September 19, 2008, the company was recognized as a high-tech enterprise in the field of new material manufacturing technology. In November 2008, the company’s “Industrialization of Tempered Glass Insulators for 1 Million Volt High Voltage Lines” project was recognized by the Ministry of Science and Technology as the 2008-2009 National Torch Program. In December 2008, the company’s technology research and development center was recognized as “provincial high-tech enterprise research and development center” by Zhejiang Science and Technology Department.

Based on the ISO9001:2000 quality system standard, EP Company has established a complete quality management system to standardize management and control of product design and development, production, sales and service implementation. On this basis, the company has also built a technical inspection center with a full set of testing capabilities for type test projects, with advanced test equipment such as 1200kV lightning impulse generator and 500kV power frequency test transformer. Under certain temperature and humidity conditions, lightning impulse withstand voltage test; power frequency dry and wet withstand voltage test; power frequency breakdown withstand voltage test; radio interference test and steep wave impact test. At the same time, the company also has the international advanced level of glass insulation inspection pipeline management technology and video management system of key process points in the whole process, which improves the company’s effective detection rate of non-conforming products of glass insulation and reduces the most critical product self-explosion. Rate, as well as effective real-time monitoring of key process points, ensures traceability of product quality.

After years of development, EP has become a major supplier of high-voltage line glass insulators for large-scale power grid operators in China. And in the country more than 20 provinces and cities to establish a corresponding marketing service network to provide customers with quality services, in the future development of the company will continue to expand sales, form a marketing system covering the domestic and foreign markets, and strive to build the company into “Home-leading, world-class” glass insulator manufacturer.